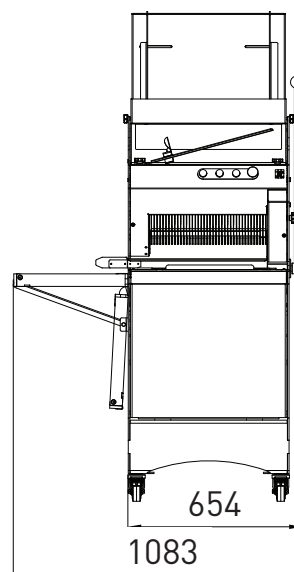
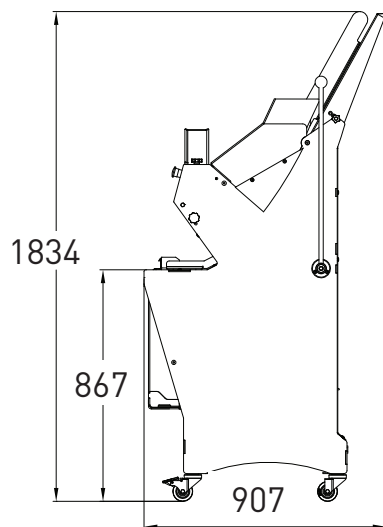


Continuous cut slicers

CHUTE

- ✓ Designed for cutting soft white loaves
- ✓ Maximum output thanks to a continuous cycle
- ✓ Minimum space requirement
- ✓ Economic
- ✓ Front-loading for ergonomic efficiency

Up to 500 loaves an hour



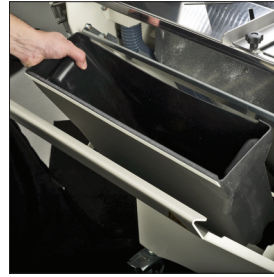
Traditionally Innovative

www.jac-machines.com

info@jac-machines.com



Loading ramp
Fitted with side guides, increases loading capacity.



Removable crumb collector
Accessible by tilting the front cylinder-assisted door. 18 litre capacity.



Adjustable bread holder
Adjusts the pressure on the bread to ensure a clean, precise quality of cut.



Bread exit guides



Lever on the side
Allows the final loaf to be cut completely safely.



Option

Foldable bag blower
Saves packaging time.

CHUTE 450

FEATURES

Max. loaf dimensions in cm (L x W x H)	44 x 16
Motor power in kW	0.49
Net weight (in kg)	230
Blade type and dimensions in mm	10 x 0.5 steel

CHOICES

Slice thickness in mm	11 - 18
Type of motor	230V single phase 230V three-phase 400V three-phase

OPTIONS

Heavy duty motor	•
Foldable bag blower	•
Special blades	•