

Automatic frame slicers

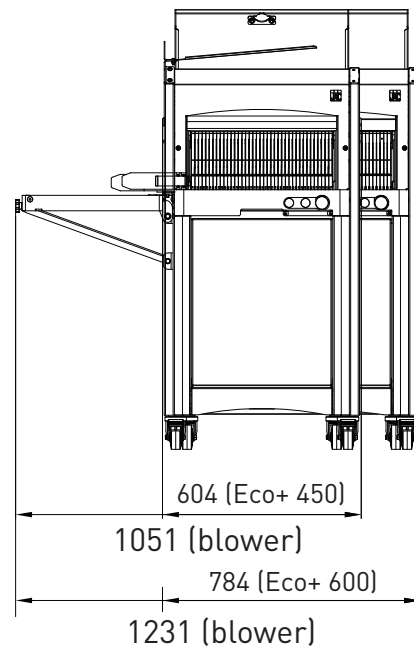
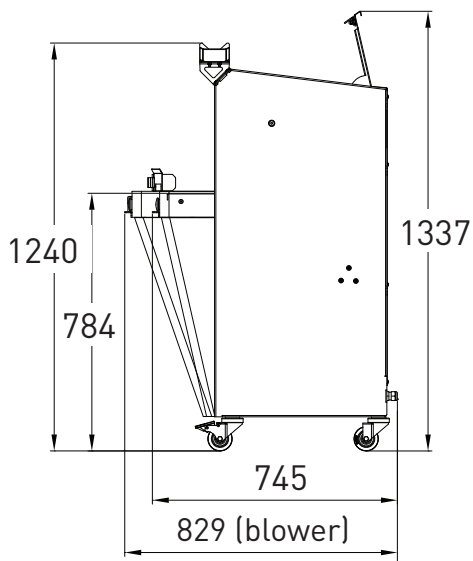
ECO+



- ✓ Maximum safety thanks to the rear cover actuating the cutting process
- ✓ Removable, ergonomic crumb collector
- ✓ Automatic cutting cycle for simplicity in use and optimum time management
- ✓ Sleek lines
- ✓ Silent

ECO+ 450: Up to 250 loaves an hour

ECO+ 600: Up to 500 loaves an hour



Traditionally Innovative

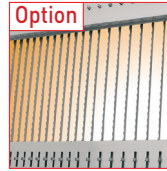
www.jac-machines.com

info@jac-machines.com



Intelligent Slicing Concept (JAC patent)

Continuous automatic control system that slices loaves according to their consistency. This allows open textured, crusty and dense breads to be sliced with equal efficiency.



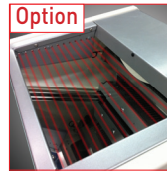
Double slice thickness

Allows two different slicing widths on the same machine



Rear safety cover

Closing it initiates the slicing process and it opens automatically when slicing is complete.



Light beam safety barrier

Increased accessibility while maintaining an optimum safety level.



Removable crumb collector

Accessible by tilting the front, cylinder-assisted door. 18 litre capacity.



Foldable bag blower


Saves packaging time.



Type available "M" system

Micronised knife lubrication system for cutting bread with a high rye content or sticky crumb. Developed by JAC, it consumes the least possible amount of oil (120 ml per 1000 loaves) and delivers consistent cutting quality.

FEATURES

	ECO+ 450	ECO+ 450M 	ECO+ 600
Max. loaf dimensions in cm (L x W x H)	44 x 31 x 16	44 x 30 x 16	60 x 31 x 16
Motor power in kW	0.49	1.1	0.49
Net weight (in kg)	165	175	180
Blade type and dimensions in mm	13 x 0.5 steel	13 x 0.5 Teflon coated	13 x 0.7 steel
Daily adding counter		•	

CHOICES

Slice thickness in mm	9 - 18	9 - 12	11 - 18
Loaf pusher height	Extra low (50mm) Low (80mm) High (100m)	Misch (80mm)	Extra low (50mm) Low (80mm) High (100m)
Type of motor	230V single phase 230V three-phase 400V three-phase	400V three-phase	230V single phase 230V three-phase 400V three-phase
Standard colour*	•	•	•

OPTIONS

Heavy duty motor	•		•
Foldable bag blower	•	•	•
Safety light barrier	•	•	•
4 cm height adjustment	•	•	•
Loaf pusher pressure selector	•	•	•
Double slice thickness	•		•
Daily adding counter	•		•
Special colour	•	•	•
Special blades	•		•

*STANDARD COLOURS

