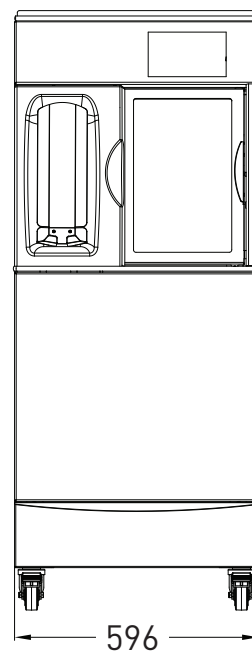
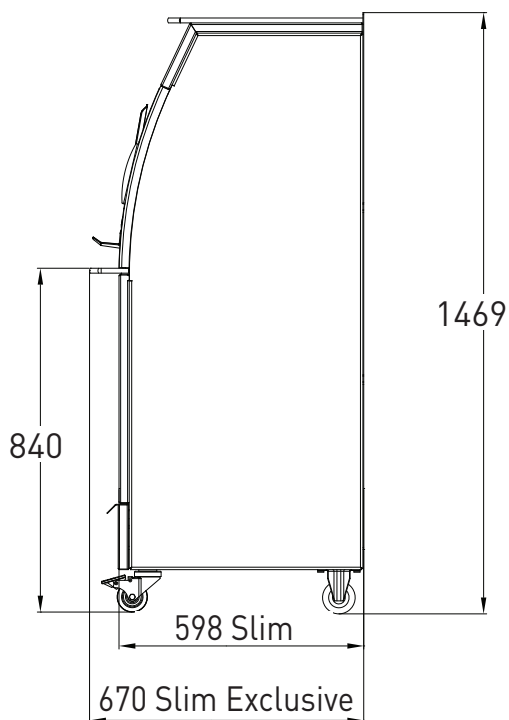


# Automatic circular blade slicers

## SLIM

- ✓ The most compact machine on the market taking up less space than a frame slicer, thanks to its vertical cutting system
- ✓ Choice of the number of slices, singles, by half-loaf or whole loaf
- ✓ Maximum safety
- ✓ Exemplary hygiene
- ✓ Stainless or painted steel finish
- ✓ Oil-free cutting

Up to 120 slices a minute



Traditionally Innovative

[www.jac-machines.com](http://www.jac-machines.com)

[info@jac-machines.com](mailto:info@jac-machines.com)



**Automatic claw**  
Stabilises the loaf during slicing and makes handling safer.  
- Ergonomics  
- Ease of use  
- Efficiency



**Teflon-coated circular blade**  
Non-stick for the clean cutting of all types of bread.



**Control panel**  
Allows the user to choose the thickness and number of slices  
- From 5 to 25mm\*  
- Singles, half-loaf or whole loaf



**Removable crumb collector**  
Made of light-weight material.



**Safety cover**  
Locked during the cutting cycle, prevents access to the blade.



**Vertical bagger**  
For easier positioning and packaging of the loaf.



**Only with SLIM EXCLUSIVE**

- Shelves
- Touch key pad
- Lighted cutting area



**SLIM**

**Touch keypad**  
Quick and simple to use.

\* Thickness to be determined according to the type of bread.

FEATURES	SLIM	SLIM EXCLUSIVE
Size of entry channel (L x W x H) in cm	42 x 25 x 16	42 x 25 x 16
Slice thickness in mm	Can be set from 5 to 25mm*	Can be set from 5 to 25mm*
Type of motor	230V single phase 230V three-phase 400V three-phase	230V single phase 230V three-phase 400V three-phase
Motor power in kW	1.1	1.1
Net weight (in kg)	210	210
Touch keypad		•
Top and front shelves		•
Lighted cutting area		•
Blade type and dimensions in mm	260 mm diameter, Teflon-coated	260 mm diameter, Teflon-coated
Cleaning position	•	•

### CHOICES

Standard colour (not compatible with stainless steel exterior)**	•	•
--	---	---

### OPTIONS

Touch keyboard	•	
Stainless steel exterior	•	•
Special colour (not compatible with stainless steel exterior)	•	•

\*\*STANDARD COLOURS

