



[www.monoequip.com](http://www.monoequip.com)



# EPSILON

## SPARES MANUAL

### MACHINE NO.FG080

When ordering spares please quote the **machine serial number** which can be found on the silver information plate of the machine and on the front cover of your manual.

**MONO EQUIPMENT**  
**Queensway**  
**Swansea West Industrial Estate**  
**Swansea. SA5 4EB UK**

Tel. +44(0)1792 561234  
email:spares@monoequip.com  
Spares Tel.+44(0)1792 564039  
Fax. 01792 561016

# CONTENTS

---

## **SECTION 1**      **MAIN PARTS** **Page 3**

**Page 5** Parts list

---

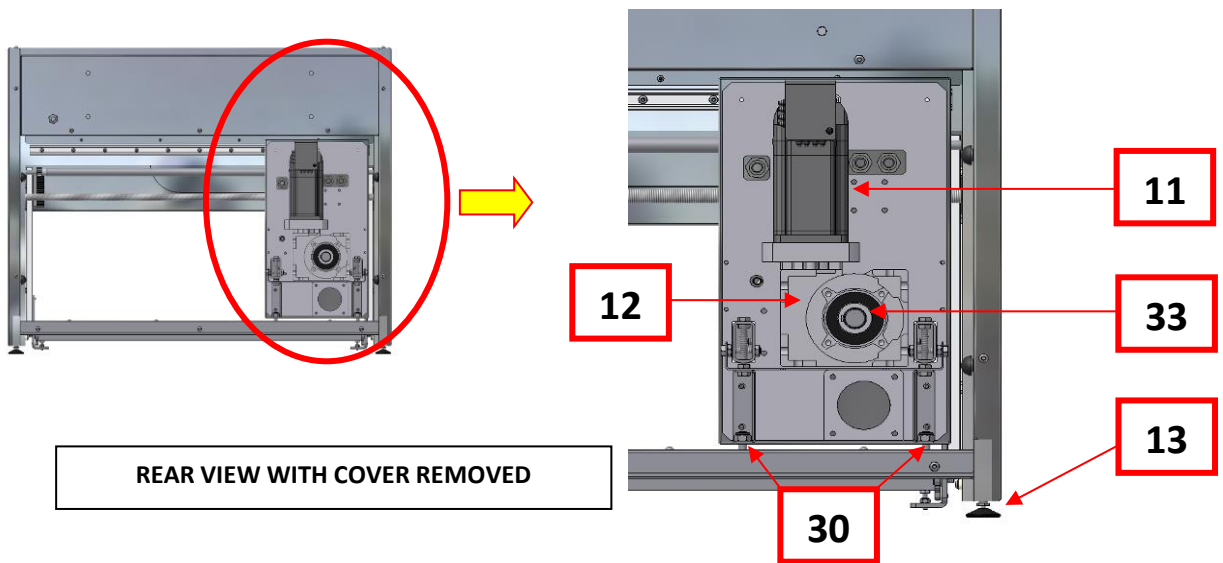
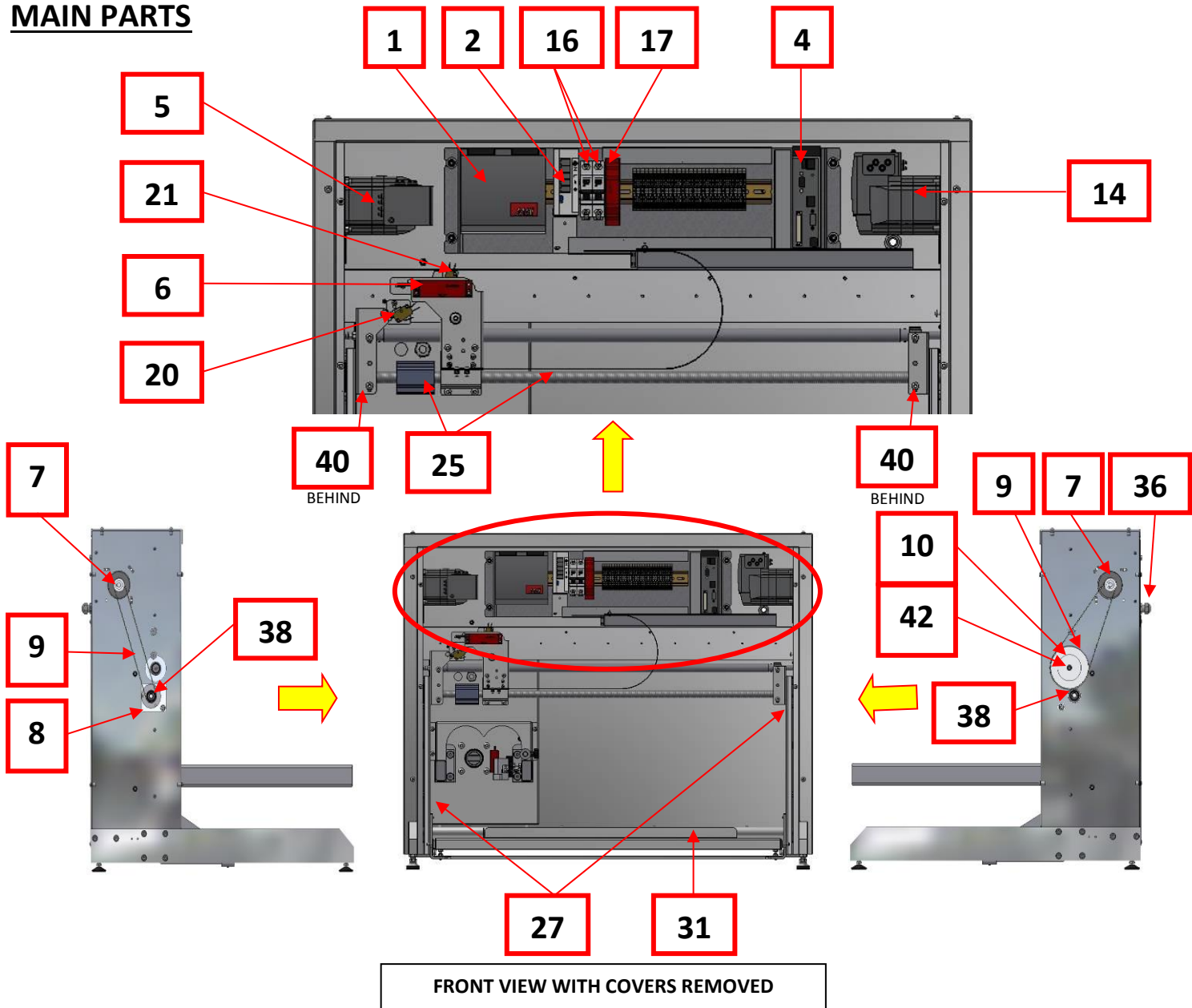
## **SECTION 2**      **HOPPER PARTS** **Page 7**

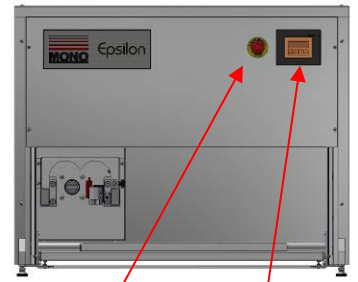
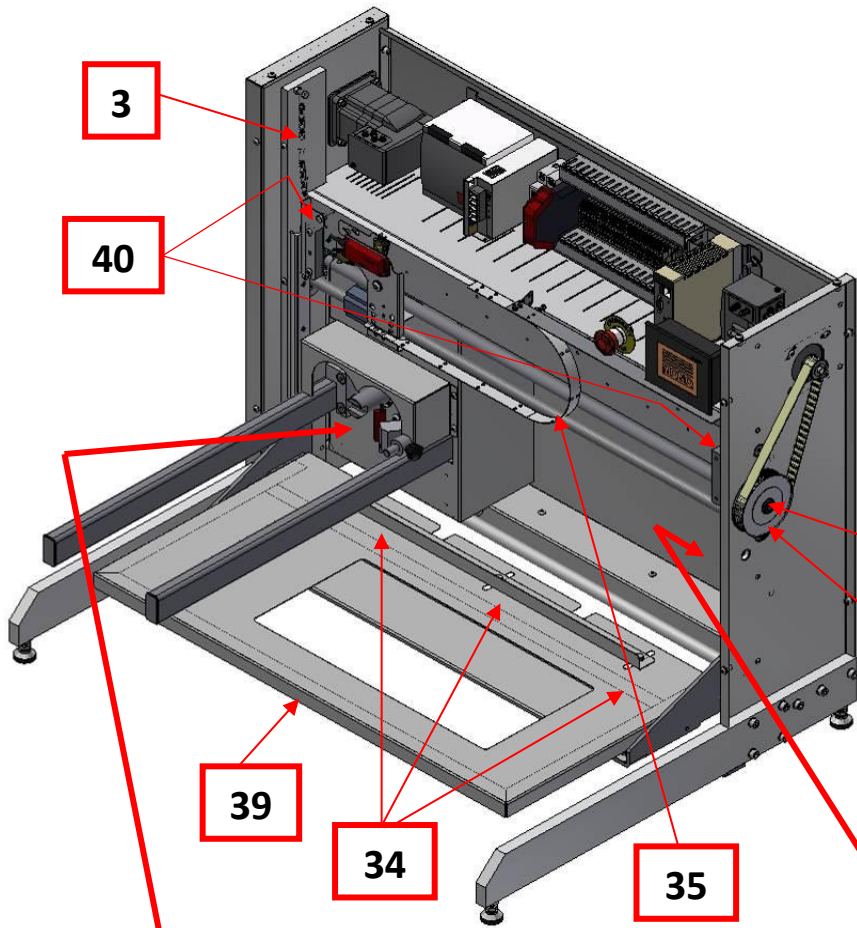


### **WARNING**

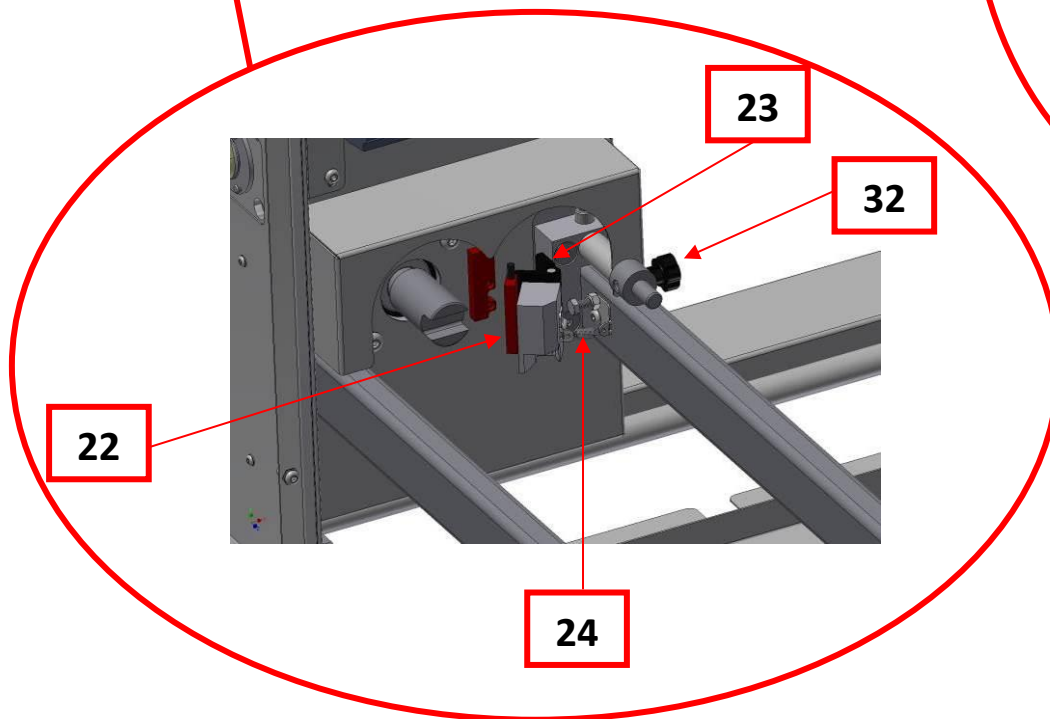
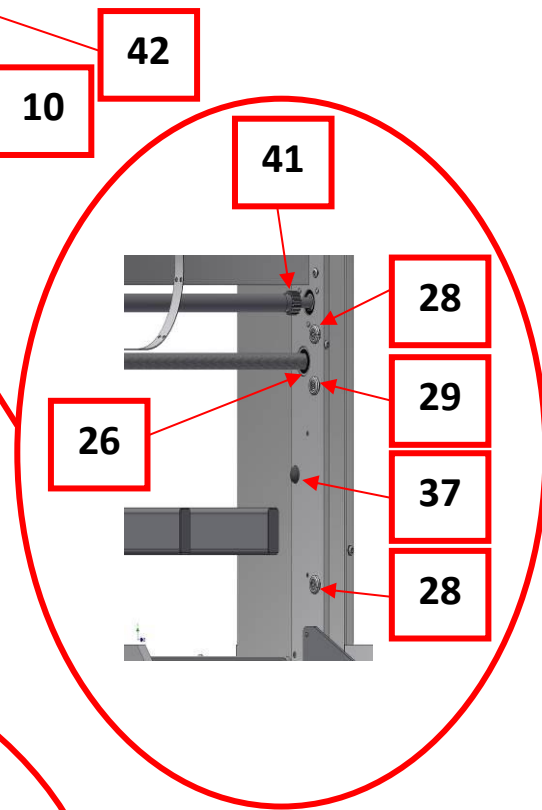
- Isolate the FG080 and disconnect from the mains supply before attempting any maintenance or fault investigation

**SECTION 1**  
**MAIN PARTS**





FRONT VIEW WITH COVERS ON



PARTS LIST FOR ITEMS ON PREVIOUS PAGES

<u>ITEM</u>	<u>DESCRIPTION</u>	<u>PART NUMBER</u>
1.	POWER SUPPLY	B801-93-019
2.	POWER SUPPLY	B801-93-005
3.	TRAY SPRING	A900-19-097
4.	LMC20	B801-80-033
5.	TRAY MOTOR	B781-74-007
6.	SAFETY SWITCH	B801-07-005
7.	TIMING PULLEY	080-02-00026
8.	TIMING PULLEY	080-02-00020
9.	TIMING BELT	A900-21-107
10.	TIMING PULLEY	080-02-00021
11.	DEPOSIT MOTOR	B781-74-008
12.	GEARBOX	A900-11-095
13.	ADJUSTABLE FOOT	A900-27-227
14.	JOG MOTOR	B781-74-006
15.	HMI	B801-93-034
16.	CIRCUIT BREAKER	B872-22-003
17.	E-STOP RELAY	B801-11-019
18.	STOP BUTTON	B801-12-043
19.	CONTACT BLOCK	B801-14-008 (N/C), B801-14-004 (N/O)
20.	JOG SWITCH	B842-07-029
21.	TRAY SWITCH	B842-07-030

<b>22.</b>	TEMPLATE SAFETY SWITCH/MAGNET	B801-07-006
<b>23.</b>	HINGE FOR TEMPLATE SAFETY MAGNET	A900-27-217
<b>24.</b>	RETURN SPRING	A900-19-094
<b>25.</b>	BALLSCREW + NUT	080-02-00025 (400 model) 080-02-00048 (450 model)
<b>26.</b>	BEARING FOR BALLSCREW	A900-06-009
<b>27.</b>	VERTICAL SLIDES	A900-31-054
<b>28.</b>	V-ROLLER – CONCENTRIC	A900-06-297
<b>29.</b>	V-ROLLER – ECCENTRIC	A900-06-298
<b>30.</b>	TRACK ROLLER	A900-06-136
<b>31.</b>	TRAY BACK STOP	080-08-00015(450 model) 080-08-00016 (450 model)
<b>32.</b>	HOPPER LOCKING THUMSCREW	A900-27-213
<b>33.</b>	CIRCLIP – HOPPER DRIVESHAFT	A900-01-193
<b>34.</b>	WINGNUT FOR TRAY GUIDE	A900-04-043
<b>35.</b>	CABLE GUIDE STRAP	080-25-00006
<b>36.</b>	MAINS CABLE GLANDS	B900-17-002
<b>37.</b>	BUMP STOPS	A900-18-006
<b>38.</b>	CIRCLIPS – BALLSCREW	A900-01-112
<b>39.</b>	PLATFORM FABRICATION	080-08-00001(400 model) 080-08-00011(450 model)
<b>40.</b>	RACK	080-02-00032
<b>41.</b>	PINION	080-02-00032
<b>42.</b>	TRANS-TORQUE BUSH	A900-10-01

## SECTION 2

### DOUGH HOPPER PARTS

